



SPENCER
48 x 36 x 80
Low Threshold Shower

**Available in white,
 biscuit, and bone**
Quick Ship in 7 days

Features

- Easy entry, low, 4" threshold
- Large integral comfort height seat (22" x 13")
- Sturdy shower base with textured floor
- Accessory shelves (10" x 3") and foot ledge (14" x 3")
- Simple, easy, 3 piece installation from front or rear
- Accommodates a shower door
- Full ArmorCore reinforced walls for extra strength that enables bars to be located to fit your individual needs.
- Premium, durable gelcoat/fiberglass construction
- High Gloss 6" tile pattern with Diamond Accents
- Attractive and easy to clean
- Limited Lifetime warranty
- Meets or exceeds UPC, IPC, ANSI Z124.1, NAHB, HUD, FHA
- Made in the USA



Components Included (Field Installed)

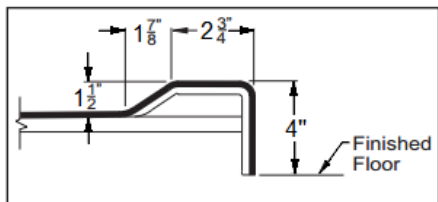
★ Stainless Steel Curtain Rod

★ Three 24" Stainless Steel Grab Bars

★ Chrome Plated Brass Drain



Low Threshold Details



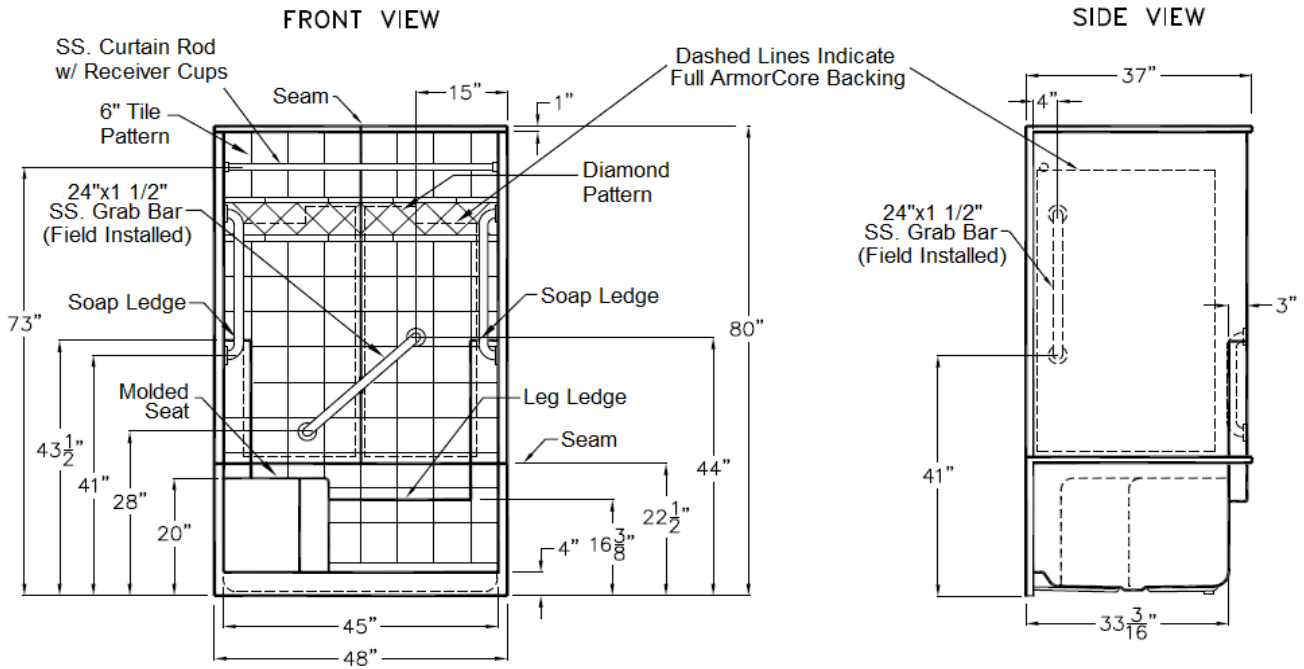
Seat

Model #

Item #

RH	LM3648SH1S3PR	639312
LH	LM3648SH1S3PL	639297

SUBMITTAL DATA



DUE TO THE NATURE OF THE MATERIALS,
UNIT DIMENSIONS MAY VARY ± 1/2 INCH

Accessible Shower Stall

THE SHOWER ENCLOSURE SHALL BE LAUREL MOUNTAIN MODEL LM3648SH1S TILE 3 PIECE 48" APPLIED ACRYLIC SECTIONAL SHOWER.

UNIT HAS LARGE MOLDED SEAT, LEG LEDGE, CORNER SOAP DISHES, TILE FINISH, DIAMOND ACCENTS, AND 4.0" THRESHOLD. THREE PIECE UNIT WITH BASE AND TWO PIECE WALL WITH MIDDLE VERTICAL SEAM.

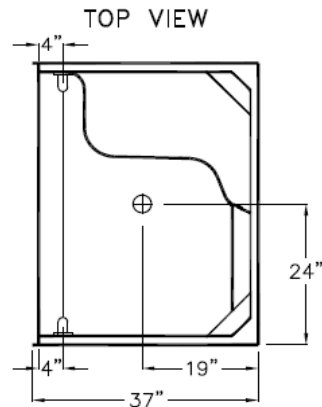
CONFIGURED WITH FULL ARMORCORE BACKING ON WALLS, 3-24" x 1 1/2" DIAMETER STAINLESS STEEL GRAB BARS, AND ONE INCH DIAMETER STAINLESS STEEL CURTAIN ROD WITH RECEIVER CUPS.

NOTE: GRAB BARS AND CURTAIN ROD SHIPPED LOOSE, TO BE FIELD INSTALLED BY OTHERS.

HANDED BY THE SEAT.

BASE SEAM IS 22 1/2" ABOVE THE BOTTOM OF THE SKIRT.

Unit complies with IAPMOZ124-2011, Home Innovation Research Lab, UPC, HUD, FHA, and CSA B45.5.



LAUREL MOUNTAIN

Drawing#: LM 3648 SH 1S 3P 4.0 3-SS Grab Bars CR

Date: 5-10-04

Revised: 1-5-18